



metacaulk®

JOINT STRIP

Flexible Strip Firestop Material

INSTALL IN **3** EASY STEPS



US Patent No. 6,207,085

1 Side
Easy Installation

- No backing required
- Tested in accordance to ASTM E814 (UL 1479) & ASTM E1966 (UL 2079)
- Complies to UL required Accelerated Aging and High Humidity Testing



1 Tuck Into Joint



2 Apply Backer Rod



3 Seal With Approved Sealant

Metacaulk® Joint Strip

Flexible material for up to 2" wide joints



Code	Description	Qty.
66700	1/16" x 1" x 82' strip	6
66701	1/16" x 1-1/2" x 82' strip	4
66704	1/16" x 2" x 82' strip	3
66702	1/16" x 2-1/2" x 82' strip	2
66703	1/16" x 3" x 82' strip	2
66705	1/16" x 4" x 82' strip	2

APPLICATION • Flexible strip firestop material used in concrete and masonry floor and wall joints up to 2" wide, duct insulation and up to 4" PVC/CPVC & Membrane penetrations • Prevents the passage of fire between joints

RECOMMENDED FOR

- Stadium construction, tilt up panels
- Curtain wall panels • All concrete and masonry wall and floor construction joint applications

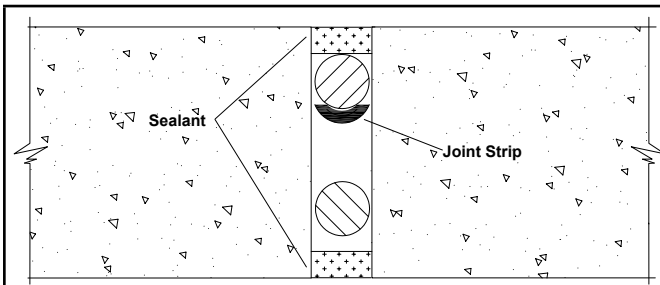


US Patent No. 6,207,085

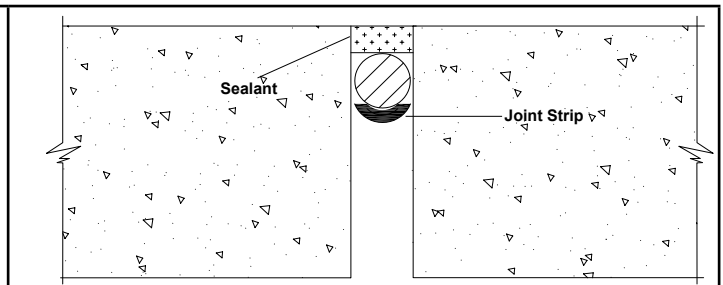


FEATURES

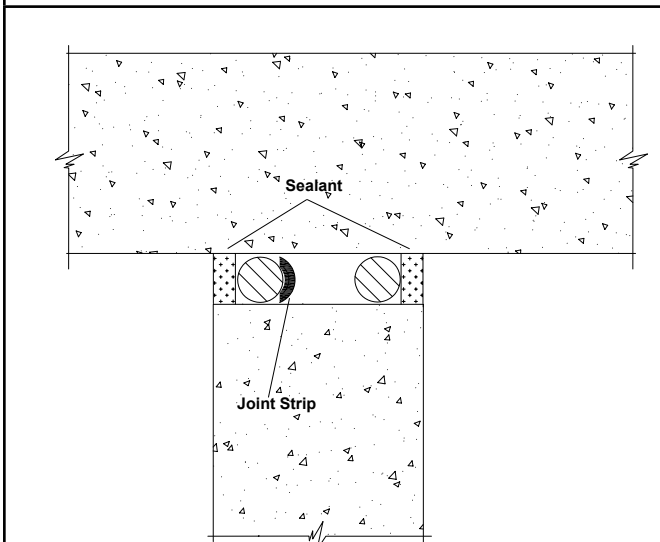
- No firestop caulk required
- Single sided application
- Simple & easy to use
- Tested in accordance with ASTM E814 (UL 1479) & ASTM E1966 (UL 2079)
- Complies to UL required Accelerated Aging and High Humidity Testing



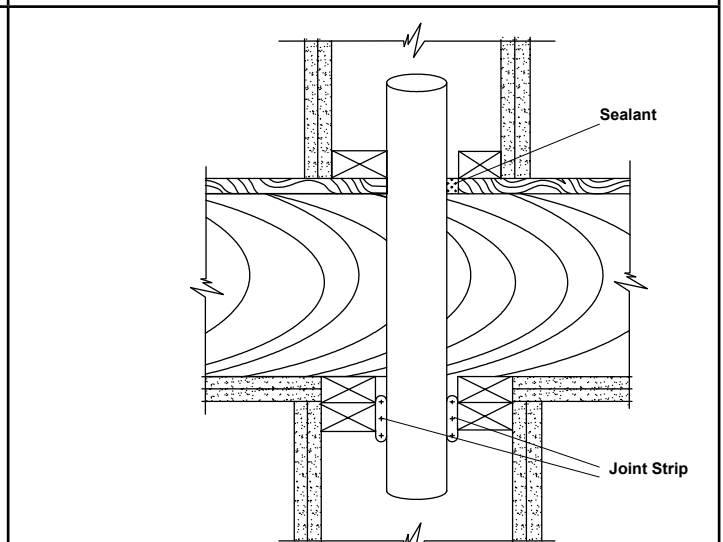
Wall Assembly 3 hr. fire rating UL (WW-D-0094)



Floor Assembly 2 hr. fire rating UL (FF-D-0084)



Floor Assembly 3-4 hr. fire rating UL (HW-D-0651)



Wood Joist Floor-Ceiling Assembly 1 hr. fire rating UL (F-C-2399)

C/JS-L-14

RectorSeal® 2601 Spenwick Drive - Houston, TX 77055 800-231-3345 rectorseal.com

A CSW Industrials Company. RectorSeal, the logos and other trademarks are property of RectorSeal, LLC, its affiliates or its licensor's and are protected by copyright, trademark and other intellectual property laws, and may not be used without permission. RectorSeal reserves the right to change specifications without prior notice.

©2019 RectorSeal. All rights reserved. R50355-0119